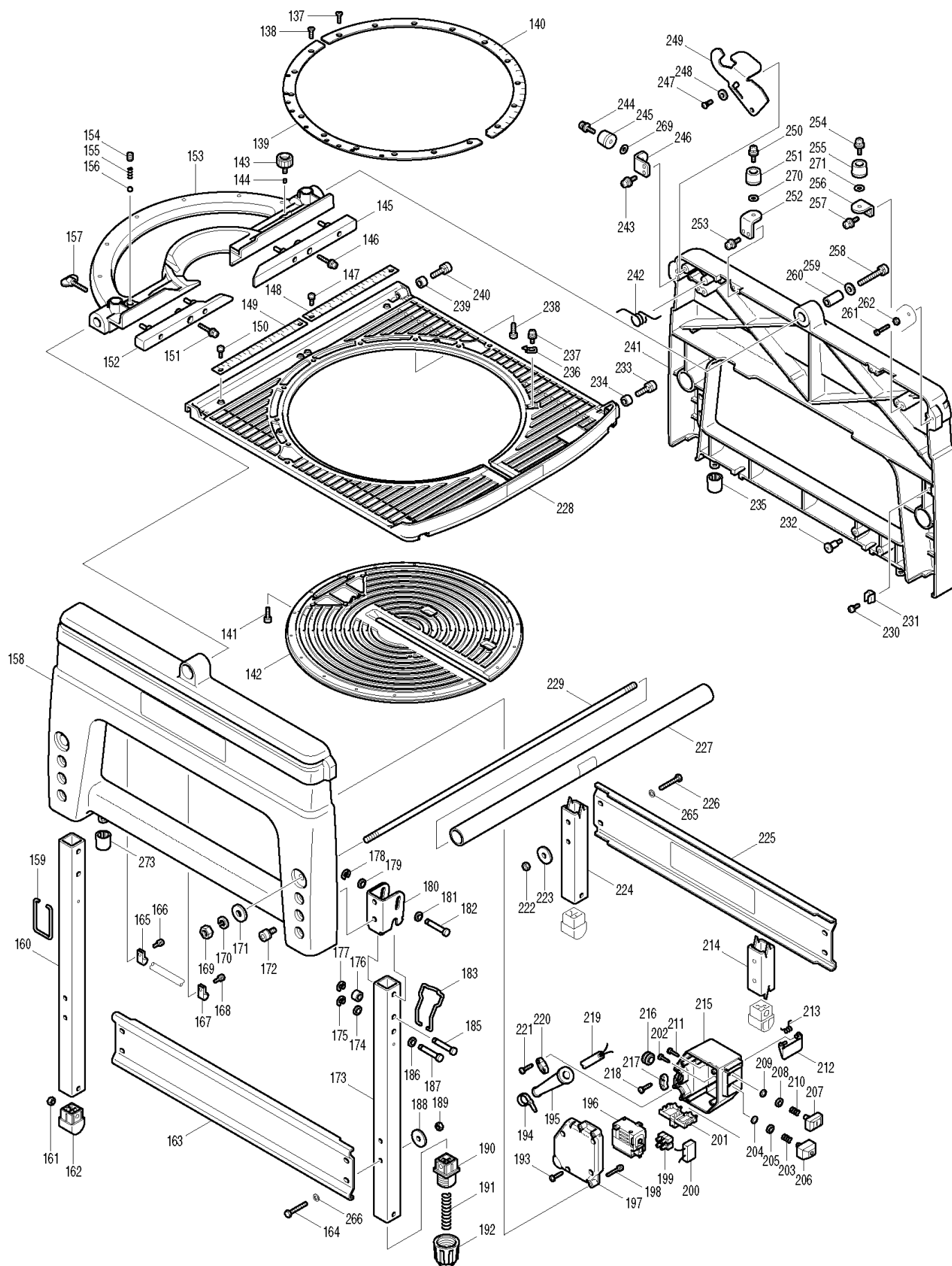


Nr.	Art nr.	Namn
1	265999-8	TAPPING SCREW 4X25
2	265995-6	TAPPING SCREW 4X18
3	687054-0	STRAIN RELIEF
4	662971-5	POWER SUPPLY CORD 1.0-6-1.56
5	682506-6	CORD GUARD 12-90
6	688140-0	LINE FILTER
7	687010-0	BAND
8	645006-7	NOISE SUPPRESSOR
9	265995-6	TAPPING SCREW 4X18
10	416356-5	LOCK-OFF LEVER
11	233483-1	COMPRESSION SPRING 4
12	416404-0	SWITCH BUTTON
13	651923-1	SWITCH TG70B
14	651941-9	SWITCH V-15-2A5
15	416357-3	SWITCH LEVER
16	188063-7	HANDLE SET
17	265995-6	TAPPING SCREW 4X18
18	861365-3	LF1000 NAME PLATE
19	911383-2	PAN HEAD SCREW M6X60
20	631947-3	CONTROLLER
21	265995-6	TAPPING SCREW 4X18
22	416362-0	REAR COVER
23	265995-6	TAPPING SCREW 4X18
24	643650-4	BRUSH HOLDER CAP 6.5-13.5
25	181044-0	Hillet CB-153
26	154569-7	MOTOR HOUSING COMPLETE
27	596273-6	FIELD ASS'Y 220-240V
28	266044-2	TAPPING SCREW 5X60
29	416361-2	BAFFLE PLATE
30	211061-7	BALL BEARING 6000LLB
31	681642-5	INSULATION WASHER
32	516748-9	ARMATURE ASS'Y 220-240V
33	345574-7	SHAFT LOCK
34	267320-7	FLAT WASHER 15
35	211206-7	BALL BEARING 6202LLB
36	233467-9	COMPRESSION SPRING 9
37	911113-1	PAN HEAD SCREW M4X10
38	416006-2	LEVER 100
39	252192-3	HEX.NUT M10-17
40	231266-3	COMPRESSION SPRING 5
41	331691-9	SPACER
42	264005-6	HEX. LOCK NUT M10-17
43	253197-6	FLAT WASHER 10
44	911113-1	PAN HEAD SCREW M4X10
45	816825-0	INDICATION PLATE
46	265551-2	HEX. SOCKET HEAD BOLT M6X20
47	267325-7	FLAT WASHER 6
48	257270-4	RING 6

49	154573-6	LINK PLATE COMPLETE
50	265532-6	HEX.BOLT M10
51	267323-1	FLAT WASHER 16
52	141133-3	ARM COMPLETE
53	231681-1	TORSION SPRING 34
54	416358-1	SLEEVE 17
55	256488-4	PIN 7
56	233429-7	COMPRESSION SPRING 7
57	271601-3	KNOB 20
58	951063-8	SPRING PIN 3-16
59	687049-3	STRAIN RELIEF
60	911113-1	PAN HEAD SCREW M4X10
61	271319-6	KNOB 40
62	216030-3	STEEL BALL 6
63	257750-0	SLEEVE 13
64	257748-7	SLEEVE 6
65	267313-4	FLAT WASHER 6
66	265552-0	HEX. SOCKET HEAD BOLT M6X30
67	331689-6	ADJUST NUT
68	922557-0	HEX. SOCKET HEAD BOLT M10X35
69	942251-8	SPRING WASHER 10
70	941252-3	FLAT WASHER 10
71	257747-9	SLEEVE 10
72	265984-1	HEX.SOCKET BUTTON HEAD BOLT M6
73	267326-5	FLAT WASHER 7
74	345553-5	STOPPER PLATE
75	216004-4	STEEL BALL 7.9
76	233466-1	COMPRESSION SPRING 6
77	911113-1	PAN HEAD SCREW M4X10
78	266085-8	H.S.SET SCREW(FLAT POINT)M6X10
79	931502-4	HEX. NUT M10
80	942251-8	SPRING WASHER 10
81	941252-3	FLAT WASHER 10
82	317889-2	CONNECTING ROD
83	419277-0	DUST NOZZLE
84	213460-9	O RING 35
85	253197-6	FLAT WASHER 10
86	931302-2	HEX. NUT M6
87	921342-8	HEX. BOLT M6X25
88	257746-1	SLEEVE 5
89	265550-4	HEX. SOCKET HEAD BOLT M5X20
90	266085-8	H.S.SET SCREW(FLAT POINT)M6X10
91	317887-6	SUB ARM
92	266377-5	BOLT M10
93	912112-6	COUNTERSUNK HEAD SCREW M4X10
94	231836-8	TENSION SPRING 4
95	418922-4	SAFETY COVER
96	210043-6	BALL BEARING 608LLB
97	961055-9	RETAINING RING S-15

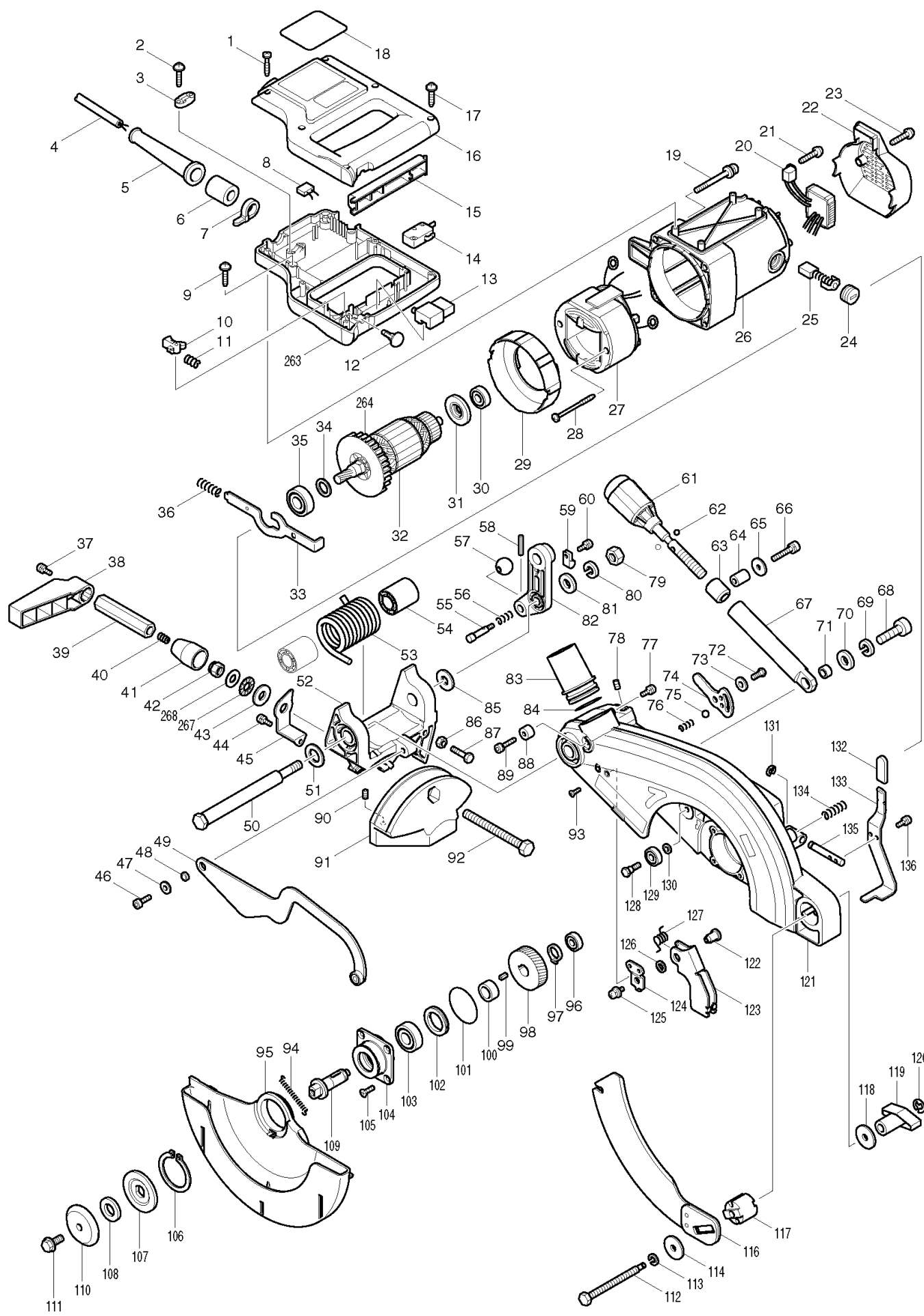
98	226600-0	HELICAL GEAR 46
99	254202-2	KEY 4
100	257266-5	RING 15
101	213623-7	O RING 46
102	285846-7	BEARING RETAINER 25-36
103	211206-7	BALL BEARING 6202LLB
104	317888-4	BEARING BOX
105	912222-9	COUNTERSUNK HEAD SCREW M5X16
106	961201-4	RETAINING RING S-42
107	224333-1	FLANGE 53
108	257295-8	RING 16
109	324543-1	SPINDLE
110	224400-2	OUTER FLANGE 53
111	265355-2	HEX. FLANGE HEAD BOLT M8X20
112	265534-2	HEX.BOLT M8X86
113	942201-3	SPRING WASHER 8
114	267312-6	FLAT WASHER 8
116	163461-6	RIVING KNIFE
117	331690-1	KNIFE SUPPORT
118	267312-6	FLAT WASHER 8
119	252641-0	WING NUT M8
120	961011-9	STOP RING E-4
121	154571-0	BLADE CASE COMPLETE
122	324664-9	GUARD SHAFT
123	345554-3	GUARD
124	345558-5	GUARD HOLDER
125	911213-7	PAN HEAD SCREW M5X12
126	267327-3	FLAT WASHER 10
127	231675-6	TORSION SPRING 11
128	265533-4	HEX.BOLT M6
129	210043-6	BALL BEARING 608LLB
130	267313-4	FLAT WASHER 6
131	961012-7	STOP RING E-6
132	421589-9	CAP
133	345552-7	LOCK LEVER
134	233467-9	COMPRESSION SPRING 9
135	256855-3	ROD 8
136	911113-1	PAN HEAD SCREW M4X10
263	188063-7	HANDLE SET
267	216413-7	THRUST NEEDLE CAGE 1024
268	253024-7	FLAT WASHER 10



Nr.	Art nr.	Namn
137	912112-6	COUNTERSUNK HEAD SCREW M4X10
138	912112-6	COUNTERSUNK HEAD SCREW M4X10
139	345541-2	SLIDE PLATE L
140	345542-0	SLIDE PLATE R
141	265551-2	HEX. SOCKET HEAD BOLT M6X20
142	154575-2	TURN TABLE COMPLETE
143	251815-0	SCREW M6X25
144	268068-4	PIN 5
145	154578-6	SUB FENCE R COMPLETE
146	911258-5	PAN HEAD SCREW M5X35
147	911113-1	PAN HEAD SCREW M4X10
148	816827-6	SCALE PLATE R
149	816826-8	SCALE PLATE L
150	911113-1	PAN HEAD SCREW M4X10
151	911258-5	PAN HEAD SCREW M5X35
152	154577-8	SUB FENCE L COMPLETE
153	154576-0	GUIDE FENCE COMPLETE
154	266392-9	H.S.SET SCREW(FLATPOINT)M10X12
155	233466-1	COMPRESSION SPRING 6
156	216004-4	STEEL BALL 7.9
157	265710-8	THUMB SCREW M6X33
158	188862-7	FRAME SET
159	345547-0	HOOK
160	331687-0	SQUARE PIPE 32-510
161	931302-2	HEX. NUT M6
162	418927-4	FOOT
163	154592-2	SUPPORT BRACKET COMPLETE
164	921367-2	HEX. BOLT M6X45
165	687049-3	STRAIN RELIEF
166	911113-1	PAN HEAD SCREW M4X10
167	687049-3	STRAIN RELIEF
168	911113-1	PAN HEAD SCREW M4X10
169	931502-4	HEX. NUT M10
170	942251-8	SPRING WASHER 10
171	267328-1	FLAT WASHER 10
172	265553-8	HEX. SOCKET HEAD BOLT M8X20
173	331686-2	SQUARE PIPE 32-475
174	267321-5	FLAT WASHER 8
175	961012-7	STOP RING E-6
176	257749-5	SLEEVE 8
177	961012-7	STOP RING E-6
178	961012-7	STOP RING E-6
179	267321-5	FLAT WASHER 8
180	345543-8	BRACKET
181	267321-5	FLAT WASHER 8
182	268127-4	PIN 8
183	345548-8	STOPPER HOOK
185	268127-4	PIN 8

186	267321-5	FLAT WASHER 8
187	268141-0	PIN 8
188	267312-6	FLAT WASHER 8
189	931302-2	HEX. NUT M6
190	418925-8	FOOT BOLT
191	233468-7	COMPRESSION SPRING 13
192	418926-6	FOOT NUT
193	265995-6	TAPPING SCREW 4X18
194	687209-7	BAND
195	682540-6	CORD GUARD 9.3-90
196	652772-9	RELAY 305.232.01
197	418924-0	SWITCH BOX COVER
198	911148-2	PAN HEAD SCREW M4X25
199	654561-8	TERMINAL BLOCK
200	645206-9	NOISE SUPPRESSOR
201	686035-1	RECEPTACLE SLEEVE
202	418618-7	PIN
203	233464-5	COMPRESSION SPRING 8
204	443103-1	FELT RING 6
205	267322-3	FLAT WASHER 7
206	418617-9	SWITCH BUTTON OFF
207	418616-1	SWITCH BUTTON ON
208	267322-3	FLAT WASHER 7
209	443103-1	FELT RING 6
210	233464-5	COMPRESSION SPRING 8
211	418618-7	PIN
212	418929-0	SWITCH COVER
213	231682-9	TORSION SPRING 5
214	331686-2	SQUARE PIPE 32-475
215	418923-2	SWITCH BOX
216	682511-3	GROMMET
217	687054-0	STRAIN RELIEF
218	265995-6	TAPPING SCREW 4X18
219	665865-3	POWER SUPPLY CORD 1.0-2-2.5
220	687052-4	STRAIN RELIEF
221	265995-6	TAPPING SCREW 4X18
222	931302-2	HEX. NUT M6
223	267312-6	FLAT WASHER 8
224	331686-2	SQUARE PIPE 32-475
225	345546-2	SUPPORT BRACKET
226	921367-2	HEX. BOLT M6X45
227	154593-0	PIPE 32 COMPLETE
228	154572-8	TABLE COMPLETE
229	266360-2	SCREW M10
230	911113-1	PAN HEAD SCREW M4X10
231	232075-3	LEAF SPRING
232	266391-1	SHOULDER SCREW M6
233	265554-6	HEX. SOCKET HEAD BOLT M8X25
234	257749-5	SLEEVE 8

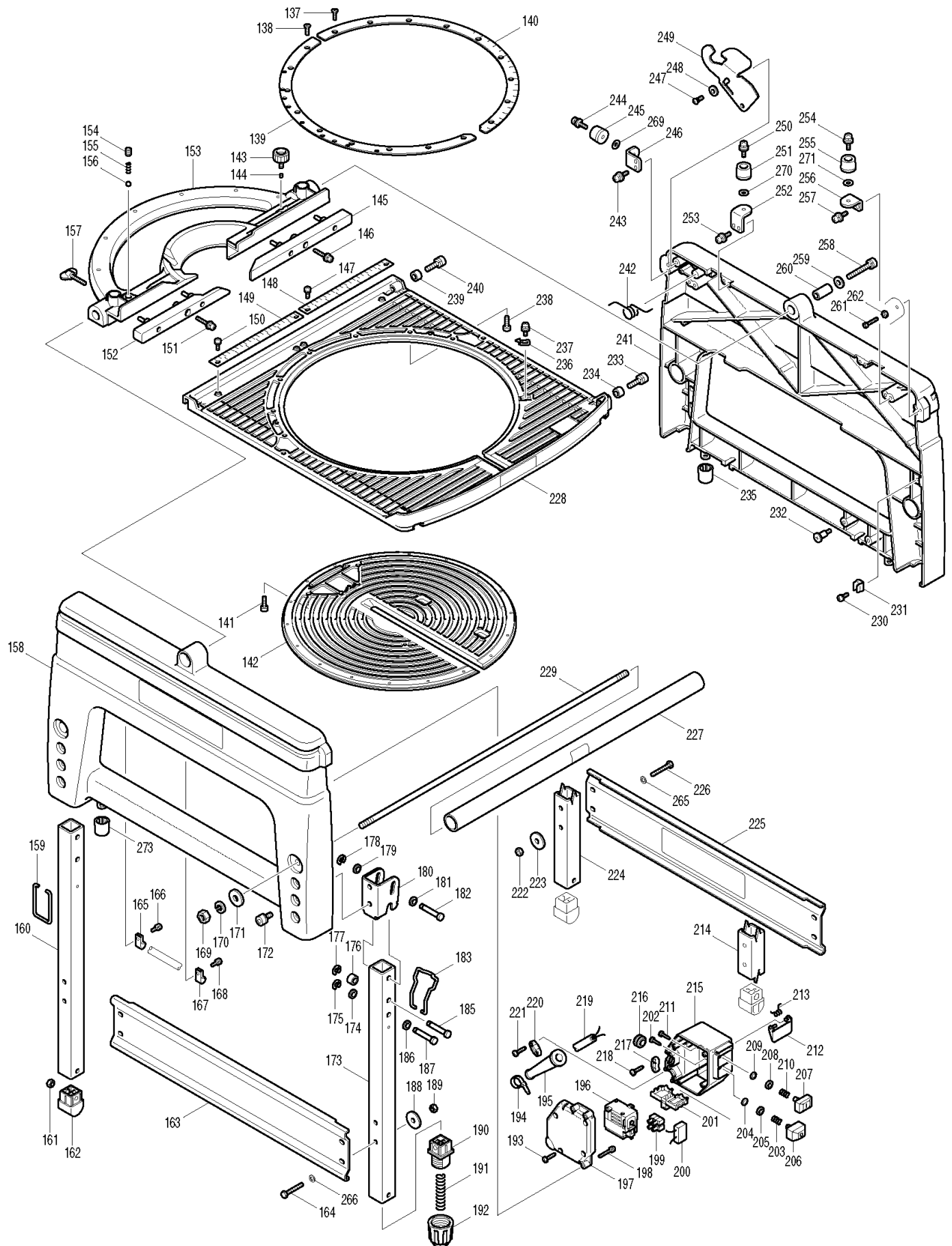
235	418931-3	CAP
236	816856-9	INDICATION PLATE
237	911108-4	PAN HEAD SCREW M4X8
238	265551-2	HEX. SOCKET HEAD BOLT M6X20
239	257749-5	SLEEVE 8
240	265554-6	HEX. SOCKET HEAD BOLT M8X25
241	188862-7	FRAME SET
242	231680-3	TORSION SPRING 17
243	911333-7	PAN HEAD SCREW M6X20
244	911333-7	PAN HEAD SCREW M6X20
245	421906-3	CUSHION
246	345550-1	STOPPER BRACKET R
247	265984-1	HEX.SOCKET BUTTON HEAD BOLT M6
248	267326-5	FLAT WASHER 7
249	345551-9	LEVER
250	911333-7	PAN HEAD SCREW M6X20
251	421906-3	CUSHION
252	345550-1	STOPPER BRACKET R
253	911333-7	PAN HEAD SCREW M6X20
254	911333-7	PAN HEAD SCREW M6X20
255	421906-3	CUSHION
256	345549-6	STOPPER BRACKET F
257	911333-7	PAN HEAD SCREW M6X20
258	265555-4	HEX. SOCKET HEAD BOLT M8X50
259	267399-8	FLAT WASHER 8
260	257751-8	SLEEVE 8
261	265549-9	HEX. SOCKET HEAD BOLT M4X20
262	931103-8	HEX. NUT M4
265	941152-7	FLAT WASHER 6
266	941152-7	FLAT WASHER 6
269	267319-2	FLAT WASHER 6
271	267319-2	FLAT WASHER 6
273	418931-3	CAP



Nr.	Art nr.	Namn
1	265999-8	TAPPING SCREW 4X25
2	265995-6	TAPPING SCREW 4X18
3	687054-0	STRAIN RELIEF
4	662971-5	POWER SUPPLY CORD 1.0-6-1.56
5	682506-6	CORD GUARD 12-90
6	688140-0	LINE FILTER
7	687010-0	BAND
8	645006-7	NOISE SUPPRESSOR
9	265995-6	TAPPING SCREW 4X18
10	416356-5	LOCK-OFF LEVER
11	233483-1	COMPRESSION SPRING 4
12	416404-0	SWITCH BUTTON
13	651923-1	SWITCH TG70B
14	651941-9	SWITCH V-15-2A5
15	416357-3	SWITCH LEVER
16	188063-7	HANDLE SET
17	265995-6	TAPPING SCREW 4X18
18	861365-3	LF1000 NAME PLATE
19	911383-2	PAN HEAD SCREW M6X60
20	631947-3	CONTROLLER
21	265995-6	TAPPING SCREW 4X18
22	416362-0	REAR COVER
23	265995-6	TAPPING SCREW 4X18
24	643650-4	BRUSH HOLDER CAP 6.5-13.5
25	181044-0	Hillet CB-153
26	154569-7	MOTOR HOUSING COMPLETE
27	596273-6	FIELD ASS'Y 220-240V
28	266044-2	TAPPING SCREW 5X60
29	416361-2	BAFFLE PLATE
30	211061-7	BALL BEARING 6000LLB
31	681642-5	INSULATION WASHER
32	516748-9	ARMATURE ASS'Y 220-240V
33	345574-7	SHAFT LOCK
34	267320-7	FLAT WASHER 15
35	211206-7	BALL BEARING 6202LLB
36	233467-9	COMPRESSION SPRING 9
37	911113-1	PAN HEAD SCREW M4X10
38	416006-2	LEVER 100
39	252192-3	HEX.NUT M10-17
40	231266-3	COMPRESSION SPRING 5
41	331691-9	SPACER
42	264005-6	HEX. LOCK NUT M10-17
43	253197-6	FLAT WASHER 10
44	911113-1	PAN HEAD SCREW M4X10
45	816825-0	INDICATION PLATE
46	265551-2	HEX. SOCKET HEAD BOLT M6X20
47	267325-7	FLAT WASHER 6
48	257270-4	RING 6

49	141540-0	LINK PLATE COMPLETE
50	265532-6	HEX.BOLT M10
51	267323-1	FLAT WASHER 16
52	141133-3	ARM COMPLETE
53	231681-1	TORSION SPRING 34
54	416358-1	SLEEVE 17
55	256488-4	PIN 7
56	233429-7	COMPRESSION SPRING 7
57	271601-3	KNOB 20
58	951063-8	SPRING PIN 3-16
59	687049-3	STRAIN RELIEF
60	911113-1	PAN HEAD SCREW M4X10
61	271319-6	KNOB 40
62	216030-3	STEEL BALL 6
63	257750-0	SLEEVE 13
64	257748-7	SLEEVE 6
65	267313-4	FLAT WASHER 6
66	265552-0	HEX. SOCKET HEAD BOLT M6X30
67	331689-6	ADJUST NUT
68	922557-0	HEX. SOCKET HEAD BOLT M10X35
69	942251-8	SPRING WASHER 10
70	941252-3	FLAT WASHER 10
71	257747-9	SLEEVE 10
72	265984-1	HEX.SOCKET BUTTON HEAD BOLT M6
73	267326-5	FLAT WASHER 7
74	345553-5	STOPPER PLATE
75	216004-4	STEEL BALL 7.9
76	233466-1	COMPRESSION SPRING 6
77	911113-1	PAN HEAD SCREW M4X10
78	266085-8	H.S.SET SCREW(FLAT POINT)M6X10
79	931502-4	HEX. NUT M10
80	942251-8	SPRING WASHER 10
81	941252-3	FLAT WASHER 10
82	317889-2	CONNECTING ROD
83	419277-0	DUST NOZZLE
84	213460-9	O RING 35
85	253197-6	FLAT WASHER 10
86	931302-2	HEX. NUT M6
87	921342-8	HEX. BOLT M6X25
88	257746-1	SLEEVE 5
89	265550-4	HEX. SOCKET HEAD BOLT M5X20
90	266085-8	H.S.SET SCREW(FLAT POINT)M6X10
91	317887-6	SUB ARM
92	266377-5	BOLT M10
93	912112-6	COUNTERSUNK HEAD SCREW M4X10
94	231836-8	TENSION SPRING 4
95	453711-0	SAFETY COVER
96	210043-6	BALL BEARING 608LLB
97	961055-9	RETAINING RING S-15

98	226600-0	HELICAL GEAR 46
99	254202-2	KEY 4
100	257266-5	RING 15
101	213623-7	O RING 46
102	285846-7	BEARING RETAINER 25-36
103	211206-7	BALL BEARING 6202LLB
104	317888-4	BEARING BOX
105	912222-9	COUNTERSUNK HEAD SCREW M5X16
106	961201-4	RETAINING RING S-42
107	224333-1	FLANGE 53
108	257295-8	RING 16
109	324543-1	SPINDLE
110	224400-2	OUTER FLANGE 53
111	266762-2	HEX. SOCKET HEAD BOLT M8X22
112	266763-0	HEX. SOCKET HEAD BOLT M8X97
113	942201-3	SPRING WASHER 8
114	267312-6	FLAT WASHER 8
116	163461-6	RIVING KNIFE
117	331690-1	KNIFE SUPPORT
118	267312-6	FLAT WASHER 8
119	252641-0	WING NUT M8
120	961011-9	STOP RING E-4
121	154571-0	BLADE CASE COMPLETE
122	324664-9	GUARD SHAFT
123	345554-3	GUARD
124	345558-5	GUARD HOLDER
125	911213-7	PAN HEAD SCREW M5X12
126	267327-3	FLAT WASHER 10
127	231675-6	TORSION SPRING 11
128	265533-4	HEX.BOLT M6
129	210043-6	BALL BEARING 608LLB
130	267313-4	FLAT WASHER 6
131	961012-7	STOP RING E-6
132	421589-9	CAP
133	345552-7	LOCK LEVER
134	233467-9	COMPRESSION SPRING 9
135	256855-3	ROD 8
136	911113-1	PAN HEAD SCREW M4X10
263	188063-7	HANDLE SET
267	216413-7	THRUST NEEDLE CAGE 1024
268	253024-7	FLAT WASHER 10



Nr.	Art nr.	Namn
137	912112-6	COUNTERSUNK HEAD SCREW M4X10
138	912112-6	COUNTERSUNK HEAD SCREW M4X10
139	345541-2	SLIDE PLATE L
140	345542-0	SLIDE PLATE R
141	265551-2	HEX. SOCKET HEAD BOLT M6X20
142	141631-7	TURN TABLE COMPLETE
143	251815-0	SCREW M6X25
144	268068-4	PIN 5
145	154578-6	SUB FENCE R COMPLETE
146	911258-5	PAN HEAD SCREW M5X35
147	911113-1	PAN HEAD SCREW M4X10
148	816827-6	SCALE PLATE R
149	816826-8	SCALE PLATE L
150	911113-1	PAN HEAD SCREW M4X10
151	911258-5	PAN HEAD SCREW M5X35
152	154577-8	SUB FENCE L COMPLETE
153	141586-6	GUIDE FENCE COMPLETE
154	266392-9	H.S.SET SCREW(FLATPOINT)M10X12
155	233466-1	COMPRESSION SPRING 6
156	216004-4	STEEL BALL 7.9
157	265710-8	THUMB SCREW M6X33
158	188862-7	FRAME SET
159	345547-0	HOOK
160	331687-0	SQUARE PIPE 32-510
161	931302-2	HEX. NUT M6
162	418927-4	FOOT
163	154592-2	SUPPORT BRACKET COMPLETE
164	921367-2	HEX. BOLT M6X45
165	687049-3	STRAIN RELIEF
166	911113-1	PAN HEAD SCREW M4X10
167	687049-3	STRAIN RELIEF
168	911113-1	PAN HEAD SCREW M4X10
169	931502-4	HEX. NUT M10
170	942251-8	SPRING WASHER 10
171	267328-1	FLAT WASHER 10
172	265553-8	HEX. SOCKET HEAD BOLT M8X20
173	331686-2	SQUARE PIPE 32-475
174	267321-5	FLAT WASHER 8
175	961012-7	STOP RING E-6
176	257749-5	SLEEVE 8
177	961012-7	STOP RING E-6
178	961012-7	STOP RING E-6
179	267321-5	FLAT WASHER 8
180	345543-8	BRACKET
181	267321-5	FLAT WASHER 8
182	268127-4	PIN 8
183	345548-8	STOPPER HOOK
185	268127-4	PIN 8

186	267321-5	FLAT WASHER 8
187	268141-0	PIN 8
188	267312-6	FLAT WASHER 8
189	931302-2	HEX. NUT M6
190	418925-8	FOOT BOLT
191	233468-7	COMPRESSION SPRING 13
192	418926-6	FOOT NUT
193	265995-6	TAPPING SCREW 4X18
194	687209-7	BAND
195	682540-6	CORD GUARD 9.3-90
196	652772-9	RELAY 305.232.01
197	418924-0	SWITCH BOX COVER
198	911148-2	PAN HEAD SCREW M4X25
199	654561-8	TERMINAL BLOCK
200	645206-9	NOISE SUPPRESSOR
201	686035-1	RECEPTACLE SLEEVE
202	418618-7	PIN
203	233464-5	COMPRESSION SPRING 8
204	443103-1	FELT RING 6
205	267322-3	FLAT WASHER 7
206	418617-9	SWITCH BUTTON OFF
207	418616-1	SWITCH BUTTON ON
208	267322-3	FLAT WASHER 7
209	443103-1	FELT RING 6
210	233464-5	COMPRESSION SPRING 8
211	418618-7	PIN
212	418929-0	SWITCH COVER
213	231682-9	TORSION SPRING 5
214	331686-2	SQUARE PIPE 32-475
215	418923-2	SWITCH BOX
216	682511-3	GROMMET
217	687054-0	STRAIN RELIEF
218	265995-6	TAPPING SCREW 4X18
219	665865-3	POWER SUPPLY CORD 1.0-2-2.5
220	687052-4	STRAIN RELIEF
221	265995-6	TAPPING SCREW 4X18
222	931302-2	HEX. NUT M6
223	267312-6	FLAT WASHER 8
224	331686-2	SQUARE PIPE 32-475
225	345546-2	SUPPORT BRACKET
226	921367-2	HEX. BOLT M6X45
227	154593-0	PIPE 32 COMPLETE
228	154572-8	TABLE COMPLETE
229	266360-2	SCREW M10
230	911113-1	PAN HEAD SCREW M4X10
231	410047-0	WRENCH HOLDER 5.6
232	266391-1	SHOULDER SCREW M6
233	265554-6	HEX. SOCKET HEAD BOLT M8X25
234	257749-5	SLEEVE 8

235	418931-3	CAP
236	816856-9	INDICATION PLATE
237	911108-4	PAN HEAD SCREW M4X8
238	265551-2	HEX. SOCKET HEAD BOLT M6X20
239	257749-5	SLEEVE 8
240	265554-6	HEX. SOCKET HEAD BOLT M8X25
241	188862-7	FRAME SET
242	231680-3	TORSION SPRING 17
243	911333-7	PAN HEAD SCREW M6X20
244	911333-7	PAN HEAD SCREW M6X20
245	421906-3	CUSHION
246	345550-1	STOPPER BRACKET R
247	265984-1	HEX.SOCKET BUTTON HEAD BOLT M6
248	267326-5	FLAT WASHER 7
249	345551-9	LEVER
250	911333-7	PAN HEAD SCREW M6X20
251	421906-3	CUSHION
252	345550-1	STOPPER BRACKET R
253	911333-7	PAN HEAD SCREW M6X20
254	911333-7	PAN HEAD SCREW M6X20
255	421906-3	CUSHION
256	345549-6	STOPPER BRACKET F
257	911333-7	PAN HEAD SCREW M6X20
258	265555-4	HEX. SOCKET HEAD BOLT M8X50
259	267399-8	FLAT WASHER 8
260	257751-8	SLEEVE 8
261	265549-9	HEX. SOCKET HEAD BOLT M4X20
262	931103-8	HEX. NUT M4
265	941152-7	FLAT WASHER 6
266	941152-7	FLAT WASHER 6
269	267319-2	FLAT WASHER 6
271	267319-2	FLAT WASHER 6
273	418931-3	CAP